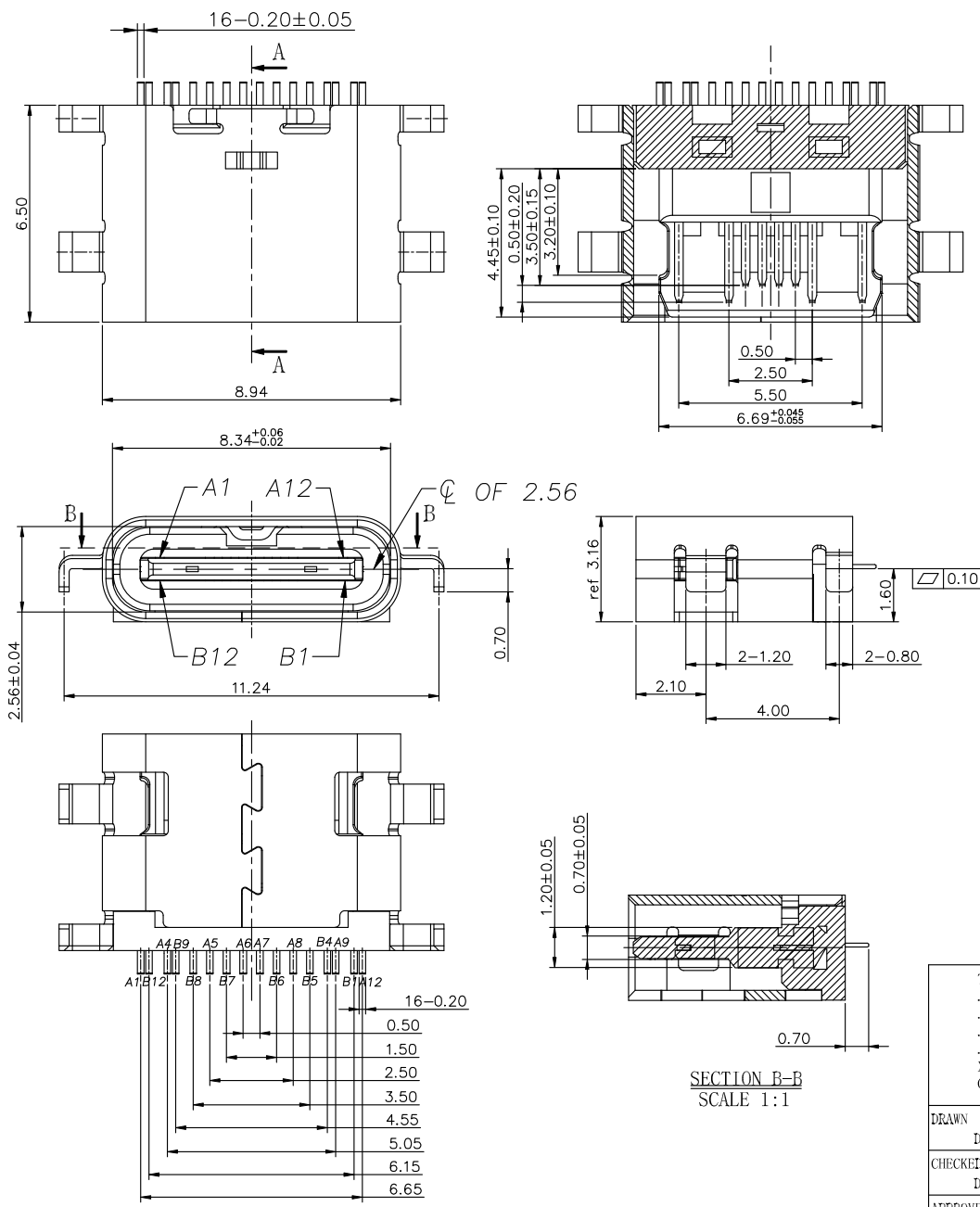


REV.	DESCRIPTION	NAME	DATE
A	NEWS ISSUE	LXH	2018/09/26




NOTE:

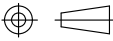
- MATERIAL SPECIFICATION:
 - HOUSING: HIGH TEMPERATURE RESISTANT PLASTIC, UL94 V-0.
 - CONTACTS: COPPER ALLOY
 - MID PLATE: STAINLESS STEEL
- PLATING SPECIFICATION:
 - CONTACTS:
 - Ni 50u" MIN. UNDER PLATED OVER ALL.
 - Au PLATED ON THE FUNCTIONAL AREA OF CONTACT. (GOLD PLATING THICKNESS FOLLOW THE P/N)
 - GOLD FLASH PLATING ON SOLDER AREA
 - FRONT SHELL:
 - Ni 30u" MIN. UNDER PLATED OVER ALL.
- MECHANICAL PERFORMANCE,
 - INSERTION FORCE: 0.5~2.0kgf.
 - REMOVAL FORCE: 0.8kgf~2.0kgf.
 - DURABILITY: 10000 CYCLES.
- ELECTRICAL PERFORMANCE,
 - CURRENT RATING: 5A
VOLTAGE RATING: 20V
 - INSULATION RESISTANCE: 100MΩ MIN
 - DIELECTRIC WITHSTAND VOLTAGE, AC 100V FOR 1 MINUTE.
- ENVIRONMENTAL PERFORMANCE:
 - OPERATING TEMPERATURE: -30°C~+80°C.
- IR REFLOW:
 - THE PEAK TEMPERATURE ON THE BOARD SHALL BE MAINTAINED FOR 10 SECONDS AT 260°C.

SECTION B-B
SCALE 1:1

TOLERANCE UNSPECIFIED	
.0	±0.35
.00	±0.25
.000	±0.15
X.°	±2.00°
CUSTOMER DRAWING	

 **东莞市韩晶电子有限公司**

TITLE: USB TYPE C 16PIN, L=6.50mm
沉板1.60mm

DRAWN DATE	LXH 2018/09/26	SIZE: A4	UNIT: mm.	PART. NO: UCR01-3162X-00XR
CHECKED DATE	LCY 2018/09/26	SCALE: 1:1	PROJECTION 	REV.: A
APPROVED DATE	LCY 2018/09/26	DWG PATH	C00-0000-0004	PATH 1/3

7.P/N: UCR01-3162K-00BR

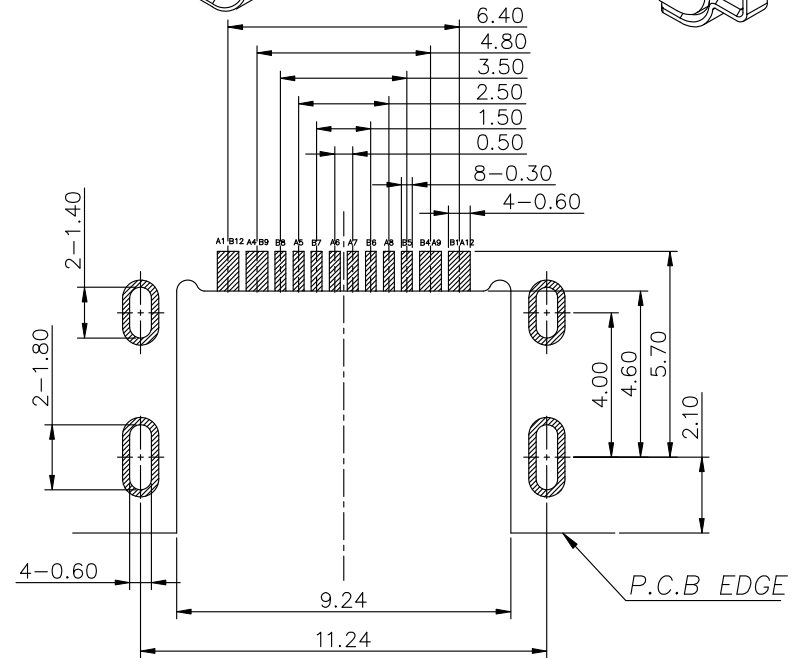
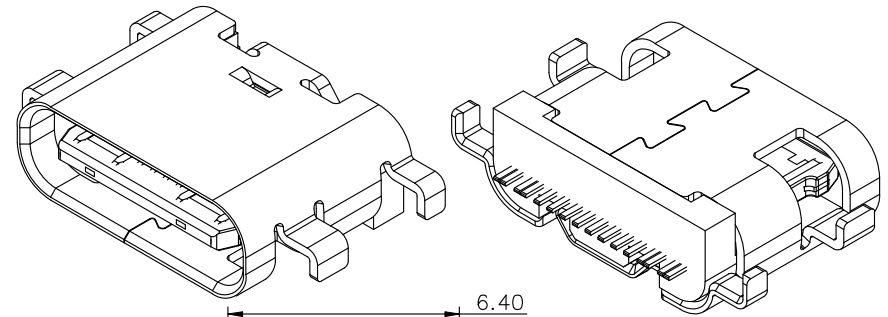
16:16 PIN

B:Black
N:NATURE

K: GOLD FLASH PLATING ON CONTACT AREA,
GOLD FLASH PLATING ON SOLDER AREA
L: 3u" GOLD PLATING ON CONTACT AREA,
GOLD FLASH PLATING ON SOLDER AREA


USB TYPE-C PIN ASSIGNMENTS

PIN NUMBER	SIGNAL NAME	PIN NUMBER	SIGNAL NAME
A1	GND	B12	GND
A4	VBUS	B9	VBUS
A5	CC1	B8	SBU2
A6	Dp1	B7	Dn2
A7	Dn1	B6	Dp2
A8	SBU1	B5	CC2
A9	VBUS	B4	VBUS
A12	GND	B1	GND

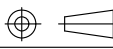


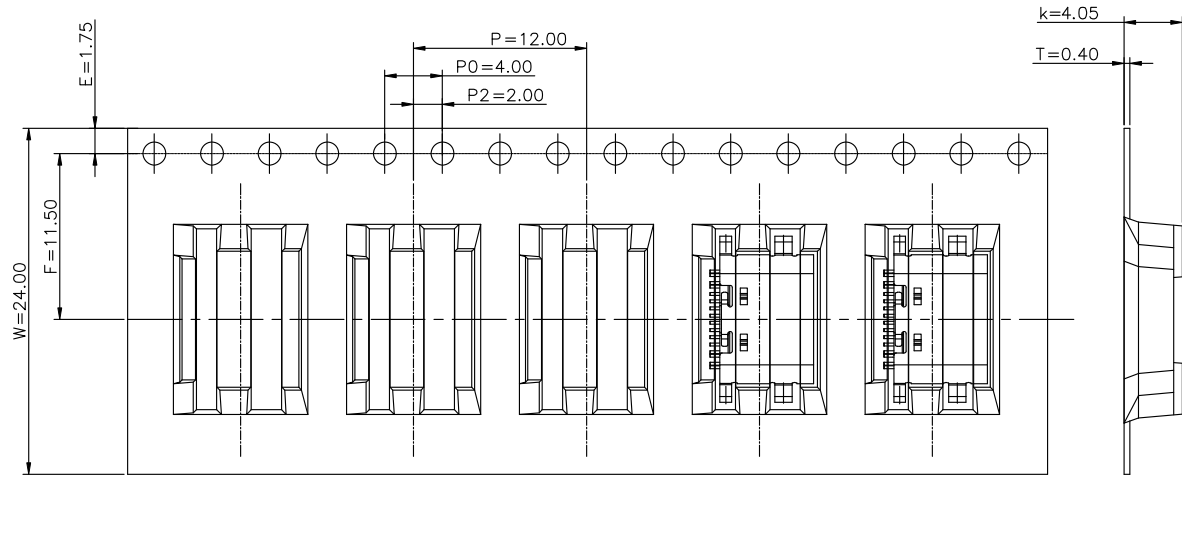
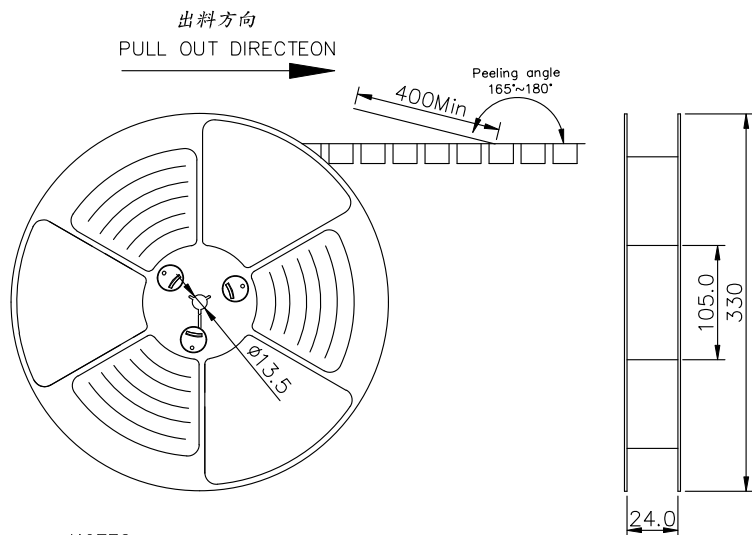
RECOMMEND P.C.B LAYOUT(COMPONENT SIDE)
TOLERANCE FOR PCB LAYOUT IS ± 0.05

TOLERANCE UNSPECIFIED
 .0 ± 0.35
 .00 ± 0.25
 .000 ± 0.15
 X. ° $\pm 2.00^\circ$
 CUSTOMER DRAWING

 东莞市韩晶电子有限公司

TITLE: USB TYPE C 16PIN, L-6.50mm
沉板1.60mm

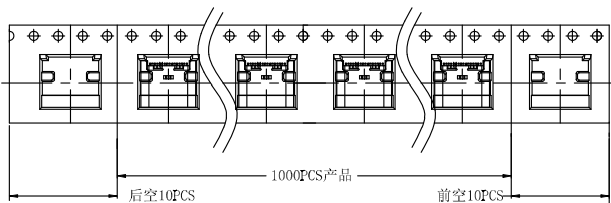
DRAWN DATE	LXH 2018/09/26	SIZE:A4	UNIT:mm.	PART.NO: UCR01-3162X-00XR
CHECKED DATE	LCY 2018/09/26	SCALE: 1:1	PROJECTION 	REV.: A
APPROVED DATE	LCY 2018/09/26	DWG PATH	C00-0000-0004	PATH 2/3



NOTES

1.帶子引導長度
LEAD TAPE LENGTH

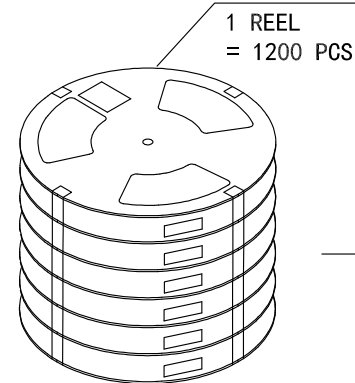
出料方向 PULL OUT DIRECTEON
出料方向 PULL OUT DIRECTEON



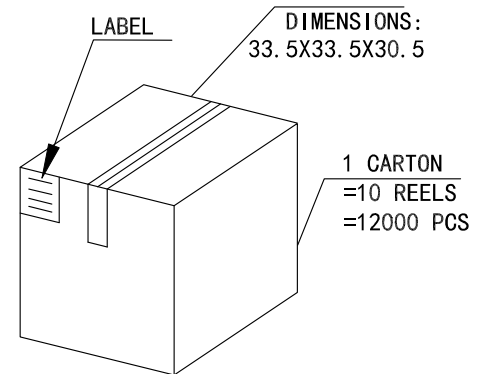
2.上帶 剝力力為：0.1~1.3N(10.2gf~130gf)
PEELING OFF FORCE OF TOP TAPE:0.1~1.3N(10.2gf~130gf)

出貨運輸過程中一定注意：
THIS REQUIREMENT SHOULD BE APPLIED AT SHIPMENT：
卷帶在運輸過程中不能散開
PEELING OFF SHOULD NOT BE ALLOWED DURING TRANSPORTATION

TAPE & REEL 10 PCS



BOX



包明表 (The detail of the packing)Carton						
品料 (Product No.)	包容量 (Packing Capacity)			重量 Weight (Kg)		
	pcs/box	boxs/Carton	Pcs/Box	N.W./Pcs	N.W./Box	G.W./Box
UCR01-3162X-00XR	1200	10	12000	----	----	----

TOLERANCE UNSPECIFIED		东莞市韩晶电子有限公司			
.0 ±0.35 .00 ±0.25 .000 ±0.15 X.° ±2.00° CUSTOMER DRAWING		TITLE: USB TYPE C 16PIN, L-6.50mm 沉板1.60mm			
DRAWN DATE	LXH 2018/09/26	SIZE:A4	UNIT:mm.	PART. NO: UCR01-3162X-00XR	
CHECKED DATE	LCY 2018/09/26	SCALE: 1:1	PROJECTION		REV.: A
APPROVED DATE	LCY 2018/09/26	DWG PATH	C00-0000-0004		PATH 3/3