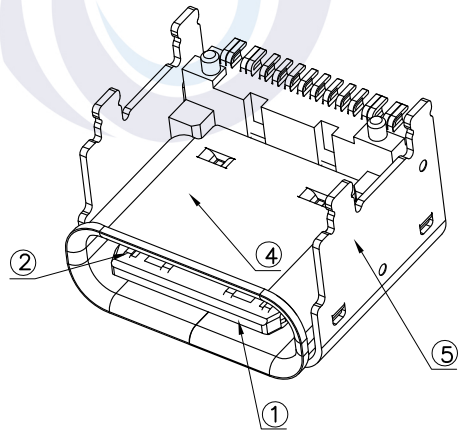
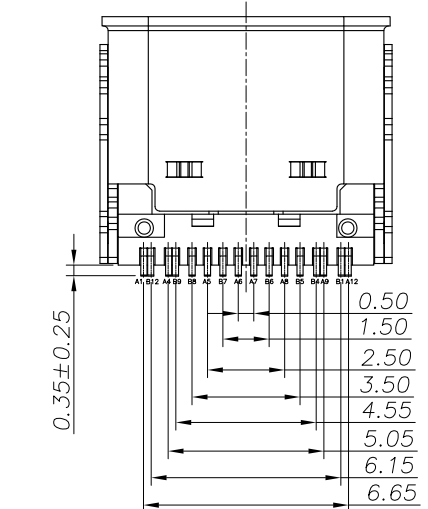
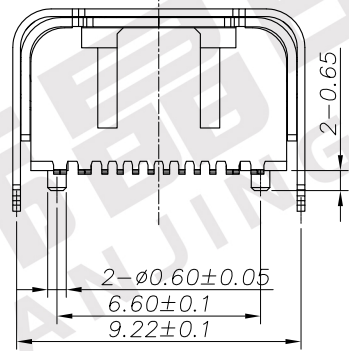
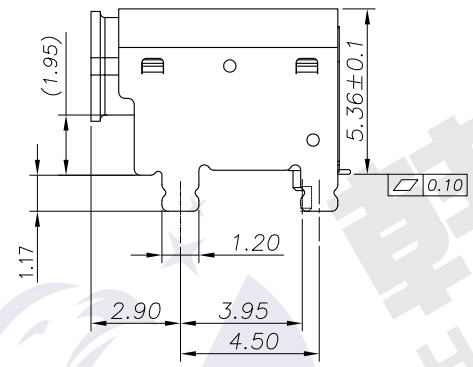
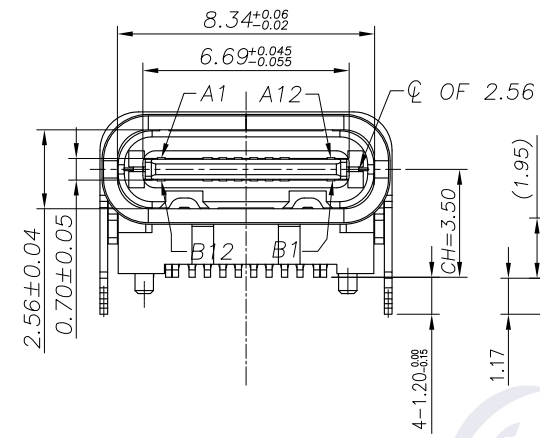
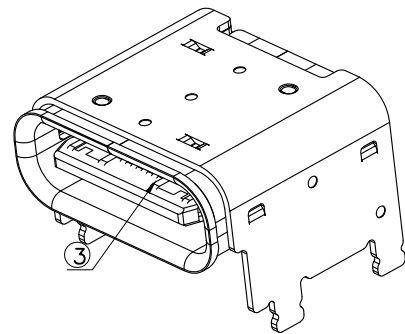
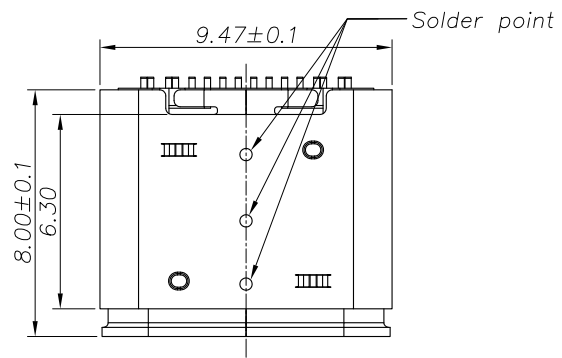


REV.	DESCRIPTION	NAME	DATE
A	NEWS ISSUE	RainYi	2022/10/20




NOTE:

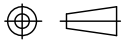
- MATERIAL SPECIFICATION:
 - HOUSING: HIGH TEMPERATURE RESISTANT PLASTIC, UL94 V-0.
 - CONTACTS: COPPER ALLOY
 - MID PLATE: STAINLESS STEEL
 - INSIDE SHELL: STAINLESS STEEL
 - OUTSIDE SHELL: STAINLESS STEEL
- PLATING SPECIFICATION:
 - CONTACTS:
 - Ni 50u" MIN. UNDER PLATED OVER ALL.
 - Au PLATED ON THE FUNCTIONAL AREA OF CONTACT. (GOLD PLATING THICKNESS FOLLOW THE P/N)
 - GOLD FLASH PLATING ON SOLDER AREA
 - INSIDE SHELL OR OUTSIDE SHELL:
 - Ni 30u" MIN. UNDER PLATED OVER ALL.
- MECHANICAL PERFORMANCE,
 - INSERTION FORCE: 0.5~2.0kgf.
 - REMOVAL FORCE: 0.8kgf~2.0kgf.
 - DURABILITY: 10000 CYCLES.
- ELECTRICAL PERFORMANCE,
 - CURRENT RATING: 5A
VOLTAGE RATING: 20V
 - INSULATION RESISTANCE: 100MΩ MIN
 - DIELECTRIC WITHSTAND VOLTAGE, AC 100V FOR 1 MINUTE.
 - LOW CONTACT RESISTANCE: INITIAL 40MΩ
AFTER 50MΩ
- ENVIRONMENTAL PERFORMANCE:
 - OPERATING TEMPERATURE: -30°C~+80°C.
- IR REFLOW:
 - THE PEAK TEMPERATURE ON THE BOARD SHALL BE MAINTAINED FOR 10 SECONDS AT 260°C.

NO.	DESCRIPTION	MATERIAL	REMARKS	
5	OUTER SHELL	SUS304 T=0.25MM	NI 40u"MIN	1PCS
4	INNER SHELL	SUS304 T=0.30MM	NI 40u"MIN	1PCS
3	SHIELDING PLATE	SUS301 T=0.15MM	N/A	1PCS
2	CONTACT	C2680 T=0.15MM	Mating area 1u"Au Solder Tails: G/F Underplate: 80u"Min Ni overall	2SET
1	INSERT MOLDING	LCP UL94V-0	BLACK	1PCS

TOLERANCE UNSPECIFIED	
.0	±0.35
.00	±0.25
.000	±0.15
X. °	±1.00°
ASSEMBLY DRAWING	

 **东莞市韩晶电子有限公司**

TITLE: USB TYPE C 16PIN,
板上垫高1.90mm(CH=3.50)

DRAWN	Rain.Yi	DATE	2022/10/20	SIZE:A4	UNIT:mm.	PART.NO:	UCR04-4161X-00XR
CHECKED	Rain.Yi	DATE	2022/10/20	SCALE:	1:1	PROJECTION	 REV.: A
APPROVED	LCY	DATE	2022/10/20	DWG	PATH	C00-0000-0085	PATH 1/3

REV.	DESCRIPTION	NAME	DATE
A	NEWS ISSUE	RainYi	2022/10/20

7.P/N: UCR04-4161X-00XR

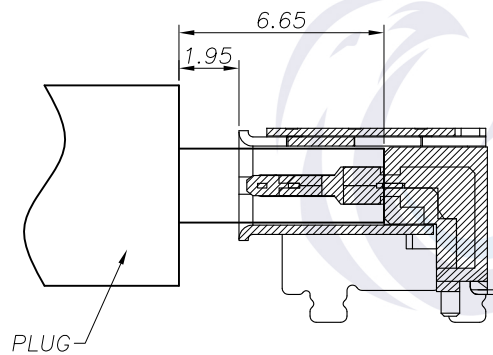
16:16 PIN

B:Blck
N:NATURE

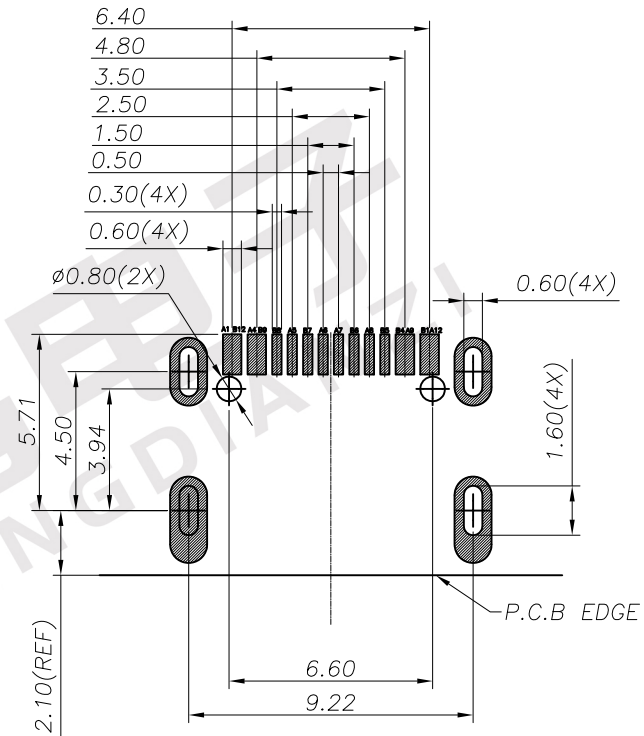
- 1: GOLD FLASH PLATING ON CONTACT AREA,
GOLD FLASH PLATING ON SOLDER AREA
- 3: 3u" GOLD PLATING ON CONTACT AREA,
GOLD FLASH PLATING ON SOLDER AREA
- 5: 3u" GOLD PLATING ON CONTACT AREA,
GOLD FLASH PLATING ON SOLDER AREA

USB TYPE-C PIN ASSIGNMENTS


PIN NUMBER	SIGNAL NAME	PIN NUMBER	SIGNAL NAME
A1	GND	B12	GND
A4	VBUS	B9	VBUS
A5	CC1	B8	SBU2
A6	Dp1	B7	Dn2
A7	Dn1	B6	Dp2
A8	SBU1	B5	CC2
A9	VBUS	B4	VBUS
A12	GND	B1	GND



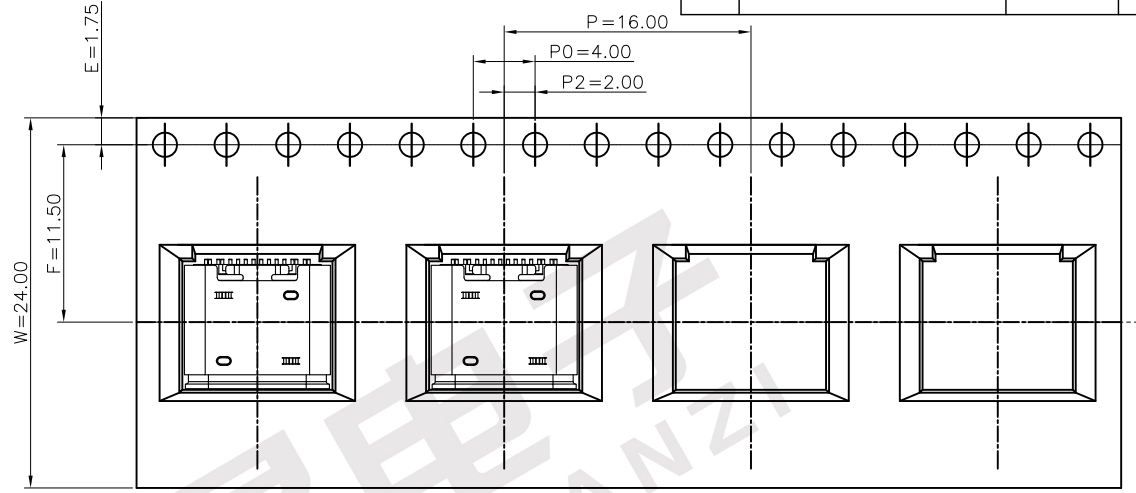
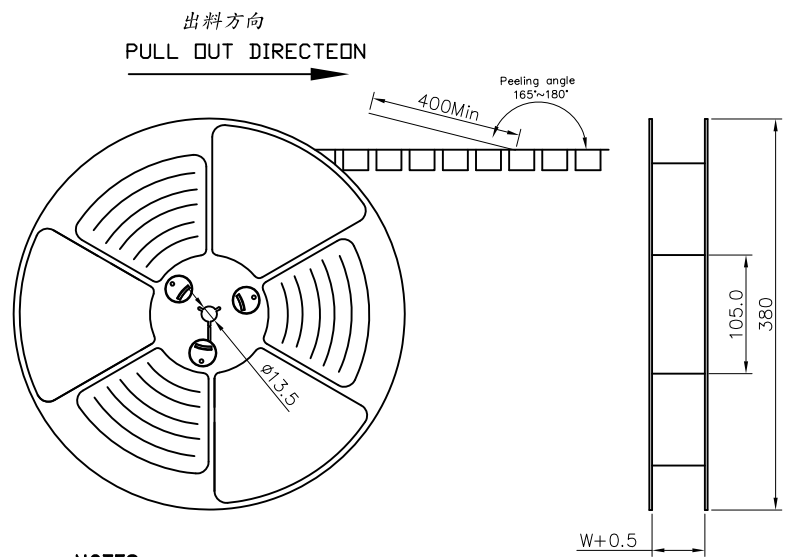
AFTER MATING
SCALE 1:1



RECOMMEND P.C.B LAYOUT(COMPONENT SIDE)
TOLERANCE FOR PCB LAYOUT IS ± 0.05

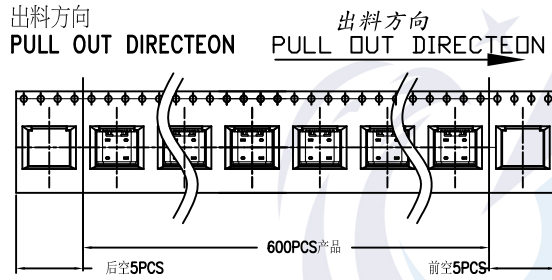
TOLERANCE UNSPECIFIED		 东莞市韩晶电子有限公司			
.0 ±0.35 .00 ±0.25 .000 ±0.15 X. ° ±1.00° ASSEMBLY DRAWING		TITLE: USB TYPE C 16PIN, 板上垫高1.90mm(CH=3.50)			
DRAWN	Rain.Yi	SIZE:A4	UNIT:mm.	PART. NO: UCR04-4161X-00XR	
DATE	2022/10/20	SCALE: 1:1		PROJECTION	REV.: A
CHECKED	Rain.Yi	DWG PATH		C00-0000-0085	PATH 2/3
DATE	2022/10/20				
APPROVED	LCY				
DATE	2022/10/20				

REV.	DESCRIPTION	NAME	DATE
A	NEWS ISSUE	RainYi	2022/10/20

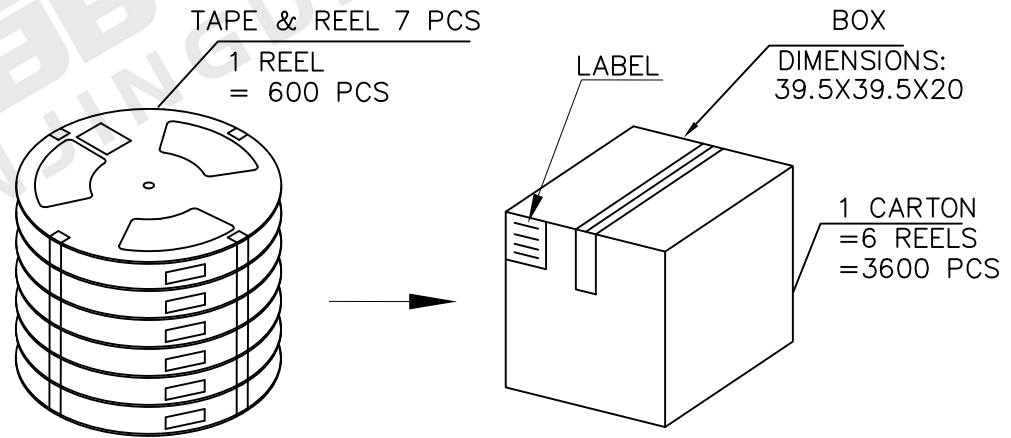


NOTES

1. 帶子引導長度
LEAD TAPE LENGTH



2. 上帶 剝離力為 : 0.1~1.3N(10.2gf~130gf)
PEELING OFF FORCE OF TOP TAPE:0.1~1.3N(10.2gf~130gf)
出貨運輸過程中一定注意:
THIS REQUIREMENT SHOULD BE APPLIED AT SHIPMENT :
卷帶在運輸過程中不能散開
PEELING OFF SHOULD NOT BE ALLOWED DURING TRANSPORTATION



包裝明細表 (The detail of the packing) Carton						
產品料號 (Product No.)	包裝容量 (Packing Capacity)			重量 Weight (Kg)		
	pcs/box	boxs/Carton	Pcs/Box	N.W./Pcs	N.W./Box	G.W./Box
UCR04-0161X-00XR	600	6	3600	—	—	—

TOLERANCE UNSPECIFIED	
.0	±0.35
.00	±0.25
.000	±0.15
X. °	±1.00°
ASSEMBLY DRAWING	
DRAWN DATE	Rain.Yi 2022/10/20
CHECKED DATE	Rain.Yi 2022/10/20
APPROVED DATE	LCY 2022/10/20

东莞市韩晶电子有限公司			
TITLE: USB TYPE C 16PIN, 板上墊高1.90mm(CH=3.50)			
SIZE:A4	UNIT:mm.	PART. NO: UCR04-4161X-00XR	
SCALE: 1:1	PROJECTION		REV.: A
DWG PATH	C00-0000-0085		PATH 3/3