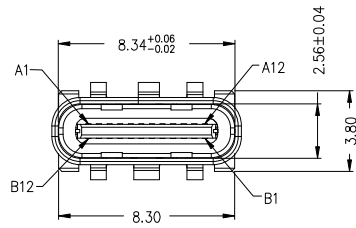


GP Component

REV.	ECN NO.	LOCATIONS	DESCRIPTION	DATE	DESIGN
AO			原始版本(INITIAL EDITION)	2020.12.15	LIUJUN



Item	Title	Material	Dispose	Remark
1	Shell	Stainless Steel	Ni:30u" Min.	/
2	GND Plate	Stainless Steel	Clear Only	/
3	Mid Plate	Stainless Steel	Clear Only	/
4	Top Contact	Copper Alloy	Mating Area: See P/N Solder Tails: Matt Tin	/
5	Bottom Contact	Copper Alloy	Mating Area: See P/N Solder Tails: Matt Tin	/
	Insulator	High Temperature Plastic	UL 94V-0	Black

NOTE:

1.MATERIAL SPECIFICATION:

- 1.HOUSING:HIGH TEMPERATURE RESISTANT PLASTIC(LCP),UL94 V-0.
- 2.CONTACTS:COPPER ALLOY(C18150)T=0.12mm
- 3.MID PLATE: STAINLESS STEEL(SUS301)T=0.15mm
- 4.EMI PLATE: STAINLESS STEEL(SUS301)T=0.10mm
- 5.SHELL: STAINLESS STEEL(SUS304)T=0.30mm

2.PLATING SPECIFICATION:

2-1.CONTACTS:

- Ni 50u" MIN. UNDER PLATED OVER ALL.
- Au PLATED ON THE FUNCTIONAL AREA OF CONTACT.
- (GOLD PLATING THICKNESS FOLLOW THE P/N)
- Sn PLATED ON THE SOLDER AREA OF CONTACT.

2-2.SHELL:

- Ni 30u" MIN. UNDER PLATED OVER ALL.

2-3.MID PLATE:

- CLEAR ONLY

2-4.EMI PLATE:

- CLEAR ONLY

3.MECHANICAL PERFORMANCE,

- 3-1.INSERTION FORCE: 5~20N.
- 3-2.REMOVAL FORCE: 8~20N,6~20N AFTER TEST;
- 3-3.DURABILITY: 10000 CYCLES.

4.ELECTRICAL PERFORMANCE,

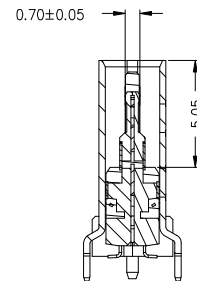
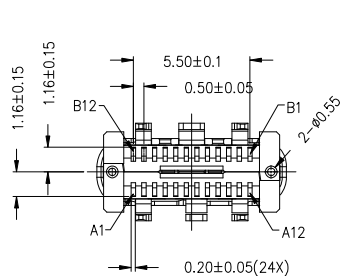
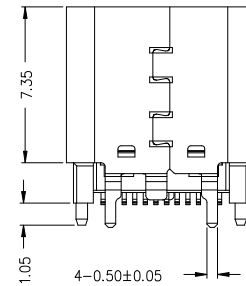
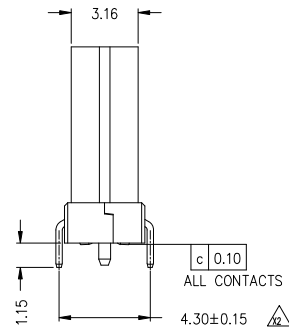
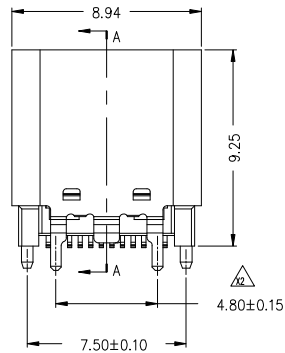
- 4-1. CURRENT RATING:5.0A
VOLTAGE RATING:5.0V
- 4-2. LLCR:
VBUS & GND PINS AND OTHER PINS: 40mΩ/PIN MAX.
SHIELD: 50mΩ/MAX.
LLCR MAX. CHANGE OF ALL PINS: 10mΩ
- 4-3.INSULATION RESISTANCE: 100MΩ MIN
- 4-4.DIELECTRIC WITHSTAND VOLTAGE,AC 100V FOR 1 MINUTE.

5. ENVIRONMENTAL PERFORMANCE:

- OPERATING TEMPERATURE: -25°C~+85°C.

6.IR REFLOW:

- THE PEAK TEMPERATURE ON THE BOARD SHALL BE MAINTAINED FOR 10 SECONDS AT 260°C.



A4Q2404-B-XX-R

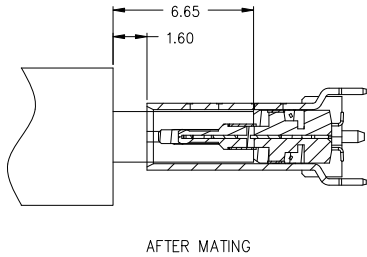
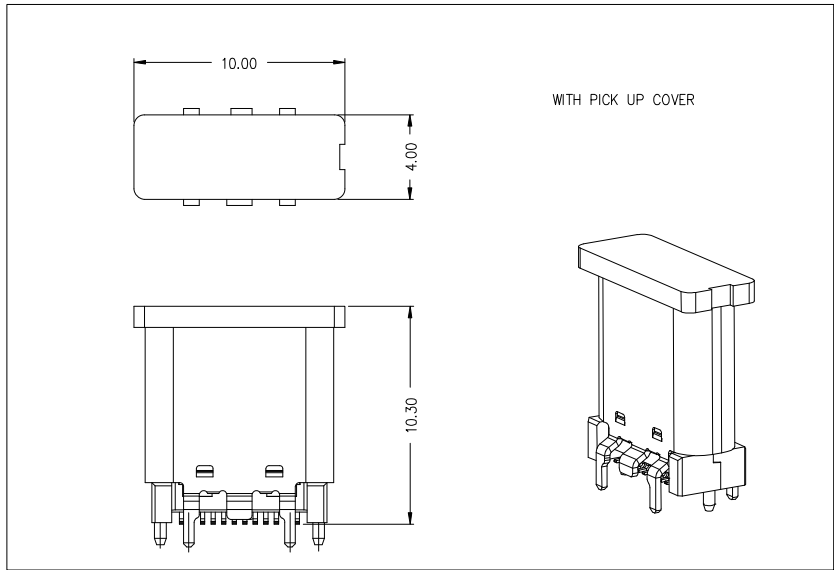
Mating Area plating

- 01: Au 1u"Min.
- 03: Au 3u"Min.
- 05: Au 5u"Min.
- 10: Au 10u"Min.
- 15: Au 15u"Min.
- 30: Au 30u"Min.

 东莞市韩晶电子有限公司			
TOLERANCE: X. ±0.35 X.X ±0.30 X.XX ±0.25 X.XXX ±0.15 X.* ±1* X.X* ±0.5*	DESIGN BY : LIUJUN	DATE : 2020.12.15	PART NAME: USB 3.1 TYPE C FEMALE VERTICAL H9.25mm SMT TYPE
 UNIT: mm [inch] SCALE:1:1 SIZE:A4	CHECKED BY:	DATE :	PART NO. A4Q2404-B-XX-R
	APPROVED BY:	DATE :	MOLD NO.
			DRAW NO. C-A4Q2404-B-XX-R
			SHEET NO. 01 OF 02

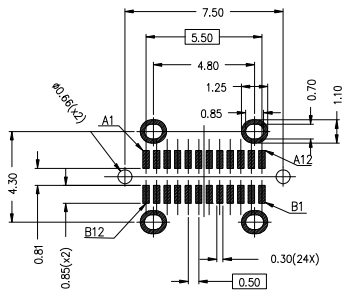
GP Component

REV.	ECN NO.	LOCATIONS	DESCRIPTION	DATE	DESIGN
A0			原始版本(INITIAL EDITION)	2020.12.15	LIUJUN




USB TYPE-C PIN ASSIGNMENTS

PIN NUMBER	SIGNAL NAME	PIN NUMBER	SIGNAL NAME
A1	GND	B12	GND
A2	SSTXp1	B11	SSRXp1
A3	SSTXn1	B10	SSRXn1
A4	V bus	B9	V bus
A5	CC1	B8	SBU2
A6	Dp1	B7	Dn2
A7	Dn1	B6	Dp2
A8	SBU1	B5	CC2
A9	V bus	B4	V bus
A10	SSRXn2	B3	SSTXn2
A11	SSRXp2	B2	SSTXp2
A12	GND	B1	GND

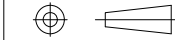


RECOMMENDED PCB LAYOUT(TOP VIEW)
THICKNESS 1.5±0.10MM;DEFAULT TOLERANCE:±0.05



东莞市韩晶电子有限公司

<p>TOLERANCE:</p> <p>X. ±0.35</p> <p>X.X ±0.30</p> <p>X.XX ±0.25</p> <p>X.XXX ±0.15</p> <p>X.* ±1* X.X* ±0.5*</p>	<p>DESIGN BY :</p> <p style="text-align: center;">LIUJUN</p> <p>CHECKED BY:</p> <p>APPROVED BY:</p>	<p>DATE :</p> <p style="text-align: center;">2020.12.15</p> <p>DATE :</p> <p>DATE :</p>	<p>PART NAME:</p> <p style="font-size: small;">USB 3.1 TYPE C FEMALE VERTICAL HR25mm SMT TYPE</p> <table border="1" style="width: 100%; border-collapse: collapse;"> <tr> <td style="width: 50%;">PART NO.</td> <td>A4Q2404-B-XX-R</td> </tr> <tr> <td>MOLD NO.</td> <td></td> </tr> <tr> <td>DRAW NO.</td> <td>C-A4Q2404-B-XX-R</td> </tr> <tr> <td>SHEET NO.</td> <td>02 OF 02</td> </tr> </table>	PART NO.	A4Q2404-B-XX-R	MOLD NO.		DRAW NO.	C-A4Q2404-B-XX-R	SHEET NO.	02 OF 02
PART NO.	A4Q2404-B-XX-R										
MOLD NO.											
DRAW NO.	C-A4Q2404-B-XX-R										
SHEET NO.	02 OF 02										

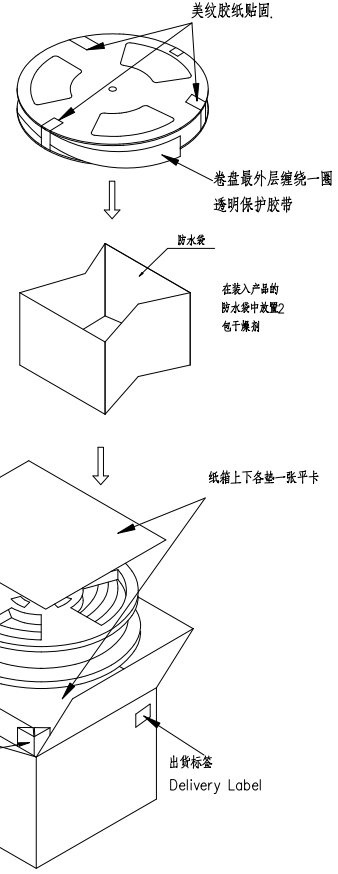
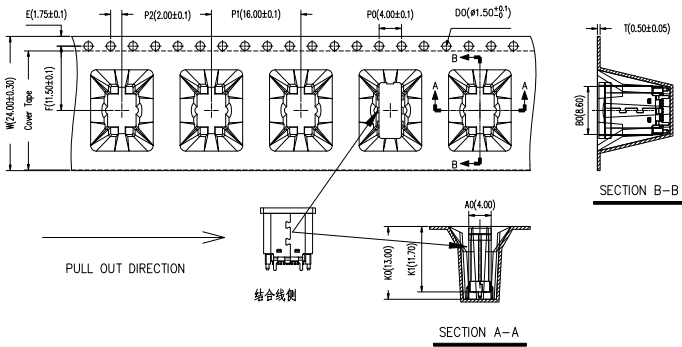
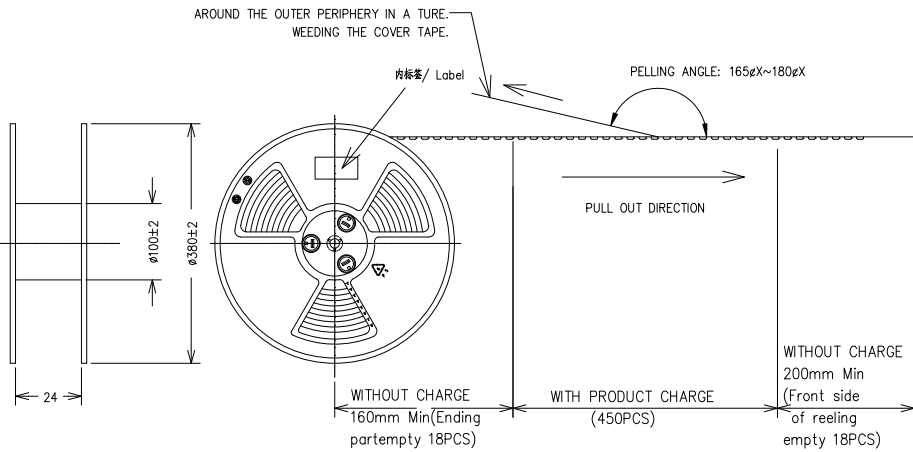


UNIT: mm [inch]

SCALE: 1:1 SIZE: A4

GP Component

REV.	ECN NO.	LOCATIONS	DESCRIPTION	DATE	DESIGN
AO			原始版本(INITIAL EDITION)	2020.12.15	LIUJUN



包装规范说明:

1. 如图所示先充CARRIER TAPE (载带) 需先预留18PCS空格后方可装入成品, 并附COVER TPAE(上带) 覆盖子上, 再配合半自动绕线机REEL(塑胶卷轴) 收料。As shown from picture, the initial starting carrier need to be emptied for 18 pcs, then put connector on lath carrier; Then cover it with Cover Tape, and Reeling it with Reel auto machine.
2. 在定置包装完成后, 需附CARRIER TAPE空带预留18PCS空格, 再附COVER TPAE配合CARRIER TYPE长度覆盖后, 并须再超过200mm以上, 最后以胶纸贴面, 并于REEL盘上方粘合格标签1张。
3. 注意: COVER TAPE不可突起或有凹陷不平, 原料及成品放置方向错误之现象, 卷盘最外层需缠绕一圈保护带, 再按图示贴于美纹胶纸。Attention: no deformation of Cover Tape is allowed (protruded plastic, or not smooth, bednt or product is wrong positioned), The out layer of the reel needs to be wound with a protective tape, and 3 places of masking tape are attached as shown in the figure.
4. 在纸箱内左右, 前后侧各放入一张三角平卡, 每个PE袋中放入5个干燥剂, 并附PE袋中放入2PCS干燥剂, 用胶等封好, 在每个纸箱内放入2PCS干燥剂, 共2包, 纸箱内上下各垫一张平卡, 盖上方后以胶等封好, 于侧位置贴出货标签一张。Inside of carton, at left and right side, put triangle fixed card; Put 5 Reels to PE bag, and put 2bags of desiccant inside the PE bag. Each carton has 10 reels. Put "Delivery label" on side of the carton.
5. 零箱部分, 出货时须用缓冲纸填满。The fractional box must be filled by cushion before shipment.

NO.	包材名称 Items	包材料号 Item no	用量 Usage	适用类别 Series	备注 / Remark
①	纸箱 Carton	PE061	1	(空白纸箱) Blank carton)	外尺寸: 400*400*310mm, K=K
②	PE Bag	P120198-01	2		600*600*0.05mm
③	载带 carrier tape	PB278-A	10		W=24mm, 7.776m/R 透明PET
④	自粘上带 cover tape	P120122-01	/	自粘上带	W=21.3MM, 200m/r 透明色
⑤	塑胶卷轴 Plastic Reel	PB037	10		ø380mm, W= 30mm
⑥	干燥剂 Desiccant	P120012-01	2		
⑦	三角平卡/ 平卡		4/2		365*300*5mm/380*380*5mm
⑧	合格标签 Qualified Label		10		80*35mm
⑨	出货标签 Delivery Label		1		80*50mm
⑩	保护带 Protect tape	PB284	/		W24*400M/R

REMARK :
A4Q2404-A-XX-R
A4Q2404-B-XX-R

产品规格 Product spc.		/
包装容量 QTY	个 / 卷 Pcs/Reel	450
	卷 / 箱 Reel/Ctos.	10
	个 / 箱 Pcs/Ctos.	4500

Weight	Teconn P/N	Customer P/N
/g	A4Q2404-A-03-R	CF175-24SLB02R-C3
	A4Q2404-B-03-R	Z-CF007SLB02L-A-C3



东莞市韩晶电子有限公司

TOLERANCE: X. ±0.35 X.X ±0.30 X.XX ±0.25 X.XXX ±0.15 X* ±1' X.X* ±0.5'	DESIGN BY :	DATE :	PART NAME:	
	LIUJUN	2020.12.15	USB 3.1 TYPE C FEMALE VERTICAL SMT TYPE 韩晶	
 UNIT: mm [inch]	CHECKED BY:	DATE :	PART NO.	
	APPROVED BY:	DATE :	MOLD NO.	
SCALE: 1:1	SIZE: A4		DRAW NO.	
			SHEET NO.	01 OF 01