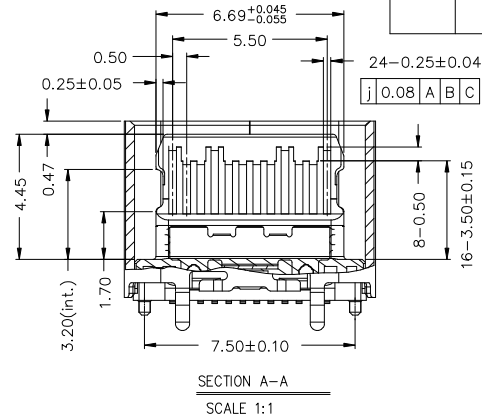
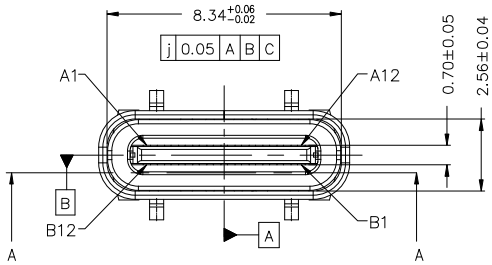
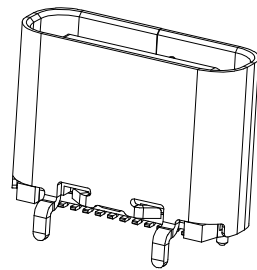
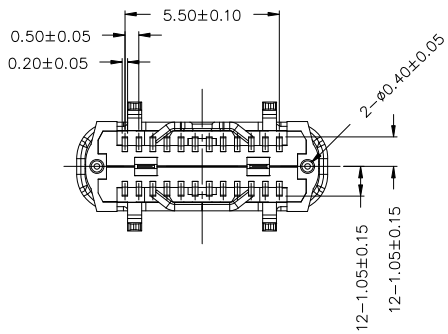
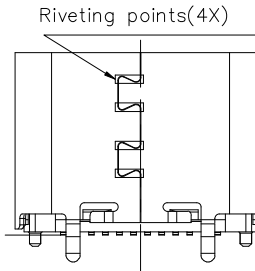
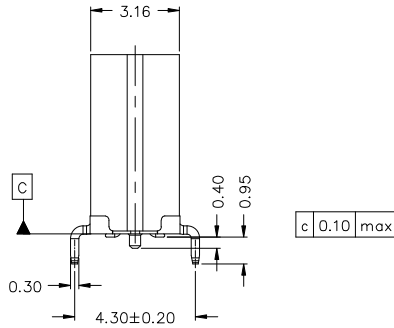
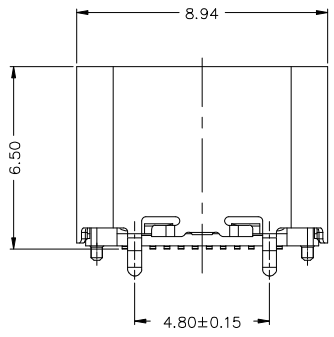


# GP Component

REV.	ECN NO.	LOCATIONS	DESCRIPTION	DATE	DESIGN
A0			原始版本(INITIAL EDITION)	2020.12.15	LIUJUN



- NOTE:
- MATERIAL SPECIFICATION:
    - HOUSING: HIGH TEMPERATURE RESISTANT PLASTIC(LCP), UL94 V-0. COLOR: BLACK.
    - CONTACTS: COPPER ALLOY(C18150)T=0.12mm
    - MID PLATE: STAINLESS STEEL(SUS301)T=0.15mm
    - EMI PLATE: STAINLESS STEEL(SUS301)T=0.10mm
    - SHELL: STAINLESS STEEL(SUS304)T=0.30mm
  - PLATING SPECIFICATION:
    - CONTACTS: Ni 50u" MIN. UNDER PLATED OVER ALL. Au PLATED ON THE MATING AREA OF CONTACT. (GOLD PLATING THICKNESS FOLLOW THE P/N) GOLD FLASH PLATED ON THE SOLDER AREA.
    - SHELL: Ni 30u" MIN. UNDER PLATED OVER ALL.
    - MID PLATE: CLEAR ONLY
    - EMI PLATE: CLEAR ONLY
  - MECHANICAL PERFORMANCE,
    - INSERTION FORCE: 0.5~2.0kgf.
    - EXTRACTION FORCE: 0.8kgf~2.0kgf. 0.6kgf~2.0kgf. AFTER DURABILITY TEST.
    - DURABILITY: 10000 CYCLES.
  - ELECTRICAL PERFORMANCE,
    - CURRENT RATING: 5.0A VOLTAGE RATING: 5.0V
    - LLCR: VBUS & GND PINS AND OTHER PINS: 40mΩ/PIN MAX. SHIELD: 50mΩ/MAX. LLCR MAX. CHANGE OF ALL PINS: 10mΩ
    - INSULATION RESISTANCE: 100MΩ MIN
    - DIELECTRIC WITHSTAND VOLTAGE, AC 100V FOR 1 MINUTE.
  - ENVIRONMENTAL PERFORMANCE: OPERATING TEMPERATURE: -25°C~+85°C
  - IR REFLOW: THE PEAK TEMPERATURE ON THE BOARD SHALL BE MAINTAINED FOR 10 SECONDS AT 260°C.



- A4Q2405-A-XX-R
- Mating Area plating
- 01: Au 1u"Min.
  - 03: Au 3u"Min.
  - 05: Au 5u"Min.
  - 10: Au 10u"Min.
  - 15: Au 15u"Min.
  - 30: Au 30u"Min.

Item	Title	Material	Dispose	Remark
1	Shell	Stainless Steel	Ni:30u" Min.	
2	EMI Plate	Stainless Steel	Clear Only	
3	Mid Plate	Stainless Steel	Clear Only	
4	Top Contact	Copper Alloy	Mating Area: See P/N	
5	Bottom Contact	Copper Alloy	Solder Tails: GF	
6	Insulator	High Temperature Plastic	UL 94V-0	Black



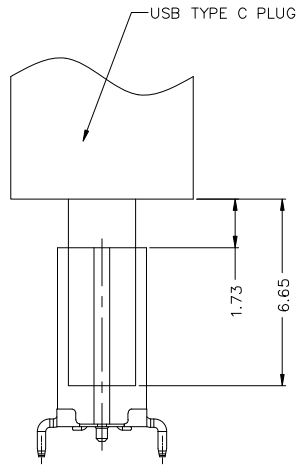
## 东莞市韩晶电子有限公司

HANJINGDIANZI

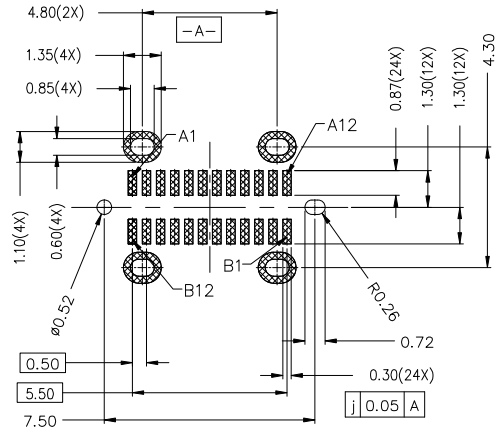
TOLERANCE: X. ±0.35 X.X ±0.30 X.XX ±0.25 X.XXX ±0.15 X.' ±1" X.X' ±0.5"	DESIGN BY :	DATE :	PART NAME:
	LIUJUN	2020.12.15	USB 3.1 TYPE C FEMALE VERTICAL TYPE SHELL H6.50mm
 UNIT: mm [inch]	CHECKED BY:	DATE :	PART NO. A4Q2405-A-XX-R
	APPROVED BY:	DATE :	MOLD NO.
SCALE: 1:1	SIZE: A4		DRAW NO. C-A4Q2405-A-XX-R
			SHEET NO. 01 OF 02

# GP Component

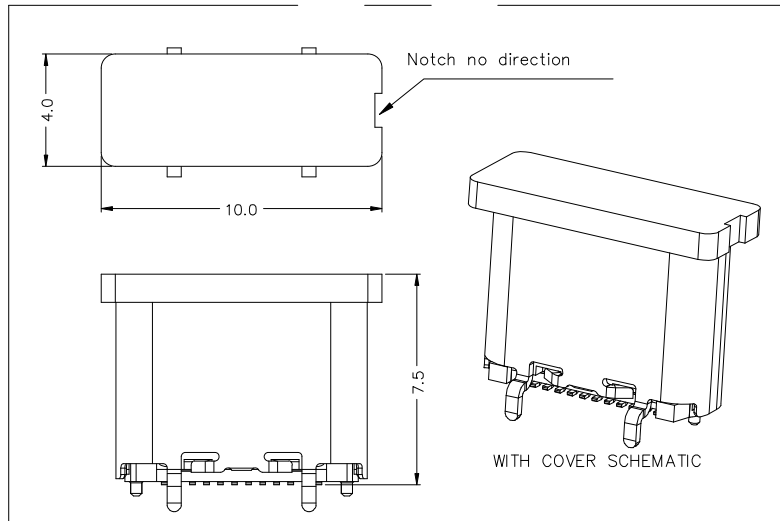
REV.	ECN NO.	LOCATIONS	DESCRIPTION	DATE	DESIGN
A0			原始版本(INITIAL EDITION)	2020.12.15	LIUJUN



FEMALE AND MALE MATCHING DRAWING



RECOMMENDED PCB LAYOUT(TOP VIEW)  
THICKNESS 0.8±0.10MM;DEFAULT TOLERANCE:±0.05



### USB TYPE-C PIN ASSIGNMENTS

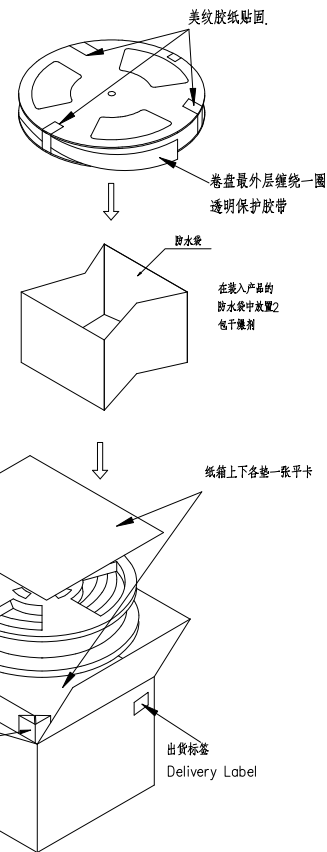
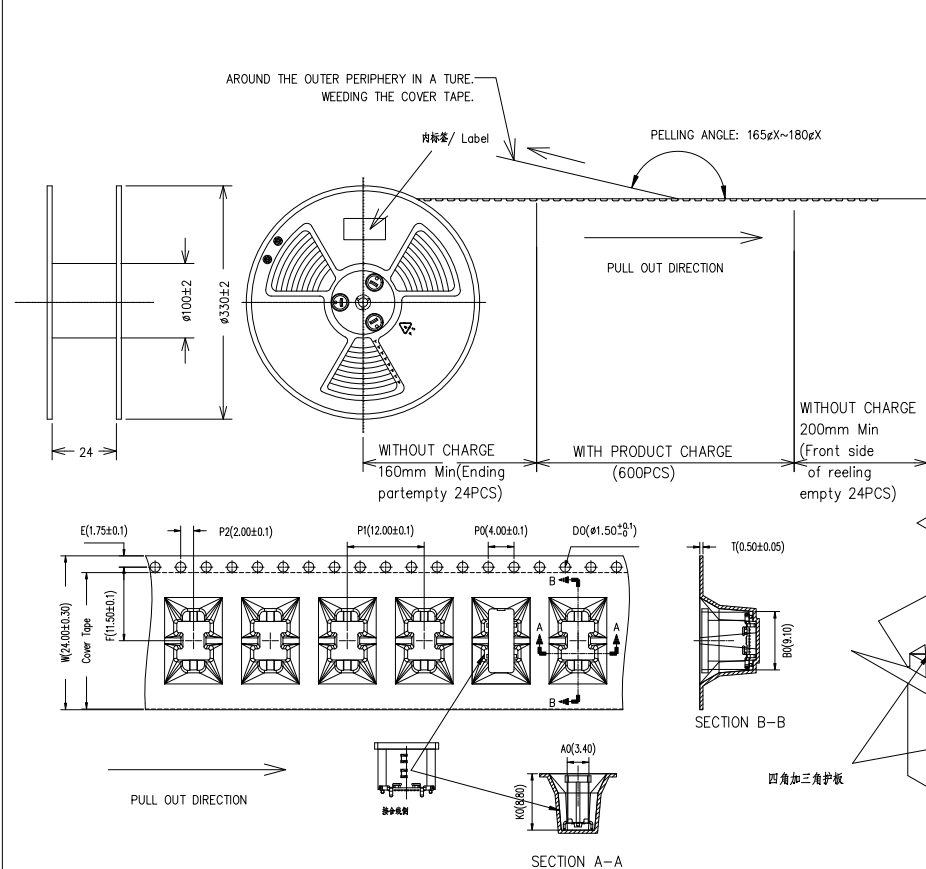
PIN NUMBER	SIGNAL NAME	PIN NUMBER	SIGNAL NAME
A1	GND	B12	GND
A2	SSTXp1	B11	SSRXp1
A3	SSTXn1	B10	SSRXn1
A4	Vbus	B9	Vbus
A5	CC1	B8	SBU2
A6	Dp1	B7	Dn2
A7	Dn1	B6	Dp2
A8	SBU1	B5	CC2
A9	Vbus	B4	Vbus
A10	SSRXn2	B3	SSTXn2
A11	SSRXp2	B2	SSTXp2
A12	GND	B1	GND



东莞市韩晶电子有限公司

TOLERANCE: X. ±0.35 X.X ±0.30 X.XX ±0.25 X.XXX ±0.15 X.* ±1* X.X* ±0.5*	DESIGN BY :	DATE :	PART NAME:
	LIUJUN	2020.12.15	USB 3.1 TYPE C FEMALE VERTICAL TYPE SHELL H6.50mm
 UNIT: mm [inch]	CHECKED BY:	DATE :	PART NO. A4Q2405-A-XX-R
	APPROVED BY:	DATE :	MOLD NO.
	SCALE:1:1	SIZE:A4	DATE :
			SHEET NO. 02 OF 02

REV.	ECN NO.	LOCATIONS	DESCRIPTION	DATE	DESIGN
AO			原始版本(INITIAL EDITION)	2020.12.15	LIUJUN



包装规范说明:

- 1.如图片所示先CARRIER TAPE (载带) 预先预置24PCS空卷形式装入成盘,并贴COVER TPAE(上带)覆盖于上,并贴小等胶纸自粘载体REEL (载体卷盘) 胶纸. As shown from picture, the initial starting carrier need to be emptied for 24 pcs, then put connector on Inth carrier; Then cover it with Cover Tape, and Reeling it with Reel auto machine.
- 2.完成卷盘后放入载带CARRIER TAPE并预置24PCS空卷,再COVER TPAE和CARRIER TYPE 长度覆盖,并预置200mm以上,载带胶纸胶纸,并预置载带上平卡标识胶纸. In the end of the reel, need to empty 24 pcs carrier tape; After covering the carrier, then the Cover Tape need to be 200mm longer, and use tape to fix the cover tape to the reel. Put "Qualified label" on the Reel.
- 3.注意:COVER TAPE 不可有褶皱或有粘附不清,至将及品品位置方向卷绕之现象,每盘卷外应缠绕一圈保护带,并按照图示贴合格标识. Attention: no deformation of Cover Tape is allowed (protruded plastic, or not smooth, bednt or product is wrong positioned), The out layer of the reel needs to be wound with a protective tape, and 3 pieces of masking tape are attached as shown in the figure.
- 4.在装箱前在防水袋内放入一包干燥剂,每个防水袋至少放入2包干燥剂,并贴合格标识. 在装入产品的防水袋中放置2包干燥剂. Put 2 desiccant packets in the waterproof bag before packing. Place 2 desiccant packets in the waterproof bag containing the product.
- 5.零碎部分,出货时请按照规范中执行. The fractional box must be filled by cushion before shipment.

产品规格		
包装	Product spc.	/
容量	个 / 卷 Pcs/Reel	600
QTY	卷 / 箱 Reel/Ctos.	10
	个 / 箱 Pcs/Ctos.	6000

NO.	包材名称 Items	包材料号 Item no	用量 Usage	适用类别 Series	备注 / Remark
①	纸箱 Carton	PE027	1	(空白纸箱) Blank carton	外尺寸: 375*375*310mm,K=K
②	PE Bag	P120198-01	2		600*600*0.05mm
③	载带 carrier tape	PB279	10		W=24mm,7.776m/R透明PET
④	自粘上带 cover tape	P120122-01	/	自粘上带	W=21.3MM,200m/r透明色
⑤	塑胶卷轴 Plastic Reel	P120021-01	10		φ330mm,W=30mm
⑥	干燥剂 Desiccant	P120012-01	10		
⑦	三角卡板/平卡		4/2		365*300*5mm/360*360*5mm
⑧	合格标签 Qualified Label		10		80*35mm
⑨	出货标签 Delivery Label		1		80*50mm
⑩	保护带 Protect tape	PB284	/		W24*400M/R

REMARK :

A4Q2405-A-XX-R  
A4Q1605-A-XX-R

Weight	Teconn P/N	Customer P/N
0.51g	A4Q1605-A-03-R	CF136-16LB12R-01
0.53g	A4Q2405-A-XX-R	CF122-24LSB12R-C3



东莞市韩晶电子有限公司

TOLERANCE: X. ±0.35 X.X ±0.30 X.XX ±0.25 X.XXX ±0.15 X.* ±1* X.X* ±0.5*	DESIGN BY : LIUJUN	DATE : 2020.12.15	PART NAME: USB 3.1 TYPE C FEMALE VERTICAL SMT TYPE 电脑线
	CHECKED BY :	DATE :	PART NO.
UNIT: mm [inch] SCALE: 1:1 SIZE: A4	APPROVED BY :	DATE :	MOLD NO.
			DRAW NO.
			SHEET NO. 01 OF 01