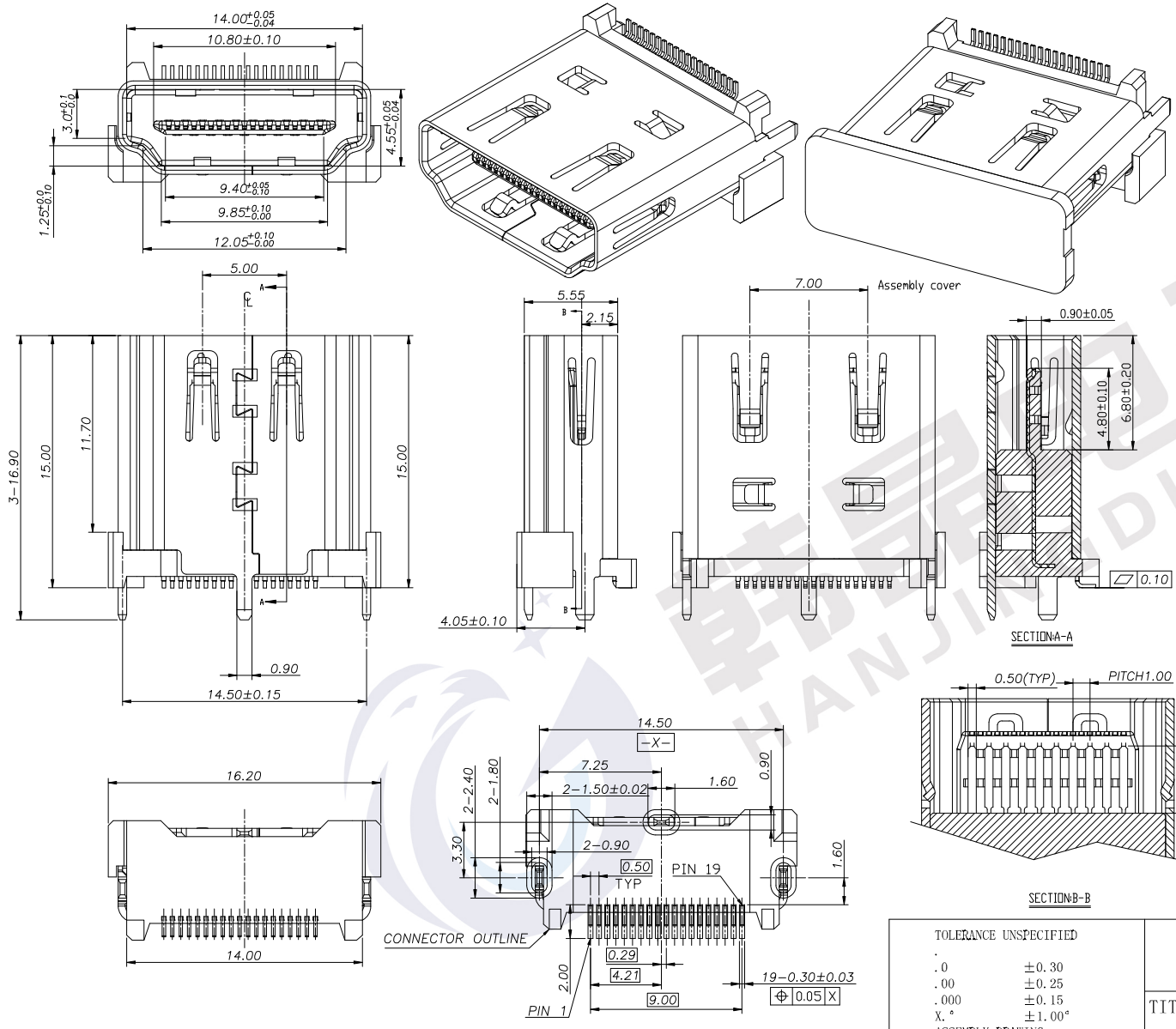


REV.	DESCRIPTION	NAME	DATE
A	NEWS ISSUE	Rain.Yi	2023/04/13

- NOTES:
- MATERIAL:
 - HOUSING:LCP WITH 30% G/F UL 94V-0 COLOR:BLACK.
 - CAP:LCP WITH 30% G/F UL 94V-0 COLOR:BLACK.
 - TERMINAL:COPPER ALLOY T=0.20mm
 - SHELL:SPCC/COPPER ALLOY T=0.50mm
 - PLATING:
 - TERMINAL:
 - (SEE P/N.)GOLD PLATED ON CONTACT AREA AND 100μ" MIN. MATTE-TIN ON SOLDER TAIL, WITH ENTIRE CONTACT UNDERPLATED 80μ" MIN.NICKEL.
 - SHELL:50μ" MIN. NICKEL PLATED.
 - MECHANICAL PERFORMANCE
 - INSERTION FORCE: 4.5kgf MAX
REMOVAL FORCE: 1kgf MIN; 4.0kgf MAX
DURABKLITY:5000 CYCLES
 - ELECTRICAL PERFORMANCE:
 - Current Rating: 0.5A
 - Voltage Rating: 40V AC
 - CONTACT RESISTANC:INITIAL 30mΩ MAX.
AFTER TEST:≦0 mΩ MAX
 - DIELECTRIC STRENGTH:UNMATED CONNECTORS APPLY 500V AC
MATED CONNECTOR APPLY 300V AC
 - INSULATION RESISTANCE:100 MEGAOHMS MIN.(UNMATED)
10 MEGAOHM'S MIN.(MATED)
 - ENVIRONMENTAL PERFORMANCE:
 - OPERATING TEMPERATURE: -25°C~+85°C
 - SALT SPRAY:24H
 - P/N. HDR01-3193X-10BR

- GOLD FLASH PLATING ON CONTACT AREA , MATTE TIN 100u" Min ON SOLDER AREA
- 3u" GOLD PLATING ON CONTACT AREA , MATTE TIN 100u" Min ON SOLDER AREA

PIN	Signal Assignment	PIN	Signal Assignment
1	TMDS Data2+	2	TMDS Data2 Shield
3	TMDS Data2-	4	TMDS Data1+
5	TMDS Data1 Shield	6	TMDS Data1-
7	TMDS Data0+	8	TMDS Data0 Shield
9	TMDS Data0-	10	TMDS Clock+
11	TMDS Clock Shield	12	TMDS Clock-
13	CEC	14	Utility
15	SCL	16	SDA
17	DDC/CEC Ground	18	+5V Power
19	Hot Plug Detect		



TOLERANCE UNSPECIFIED

.0	±0.30
.00	±0.25
.000	±0.15
X.°	±1.00°

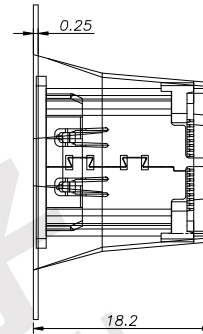
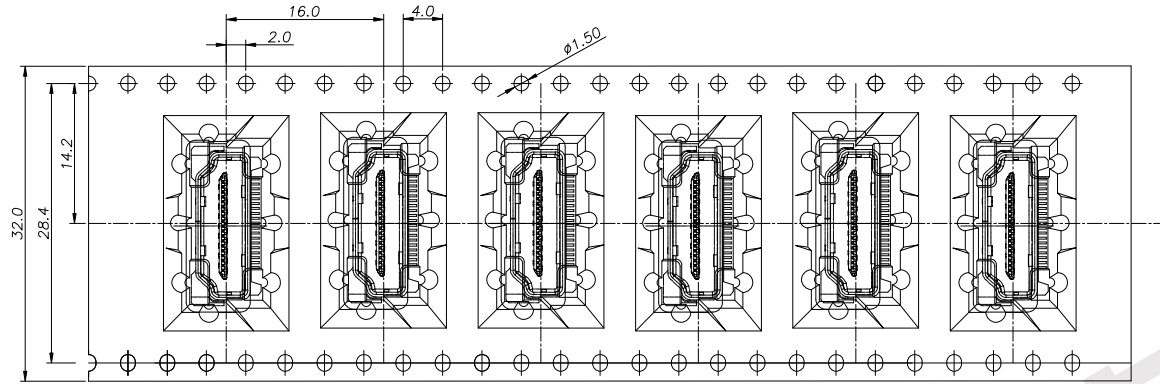
ASSEMBLY DRAWING

东莞市韩晶电子有限公司

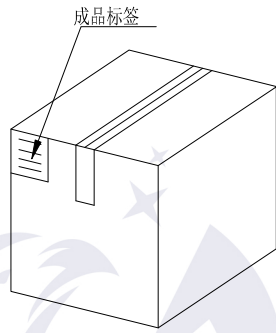
TITLE: HDMI 直立贴板母座(H=15.0MM)侧弹片
客户图

DRAWN	Rain.Yi	SIZE:A4	UNIT:mm.	PART.NO:	HDR01-3193K-00BR
DATE	2023/04/13	SCALE:	1:1	PROJECTION	REV.: A
CHECKED	Rain.Yi	DWG	PATH	C00-0000-0089	PATH 1/1
DATE	2023/04/13				

REV.	DESCRIPTION	NAME	DATE
A	NEWS ISSUE	Rain.Yi	2023/04/13



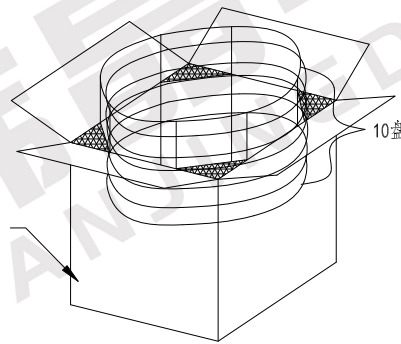
NO. 1



成品标签

纸箱规格: 39.5*39.5*38cm

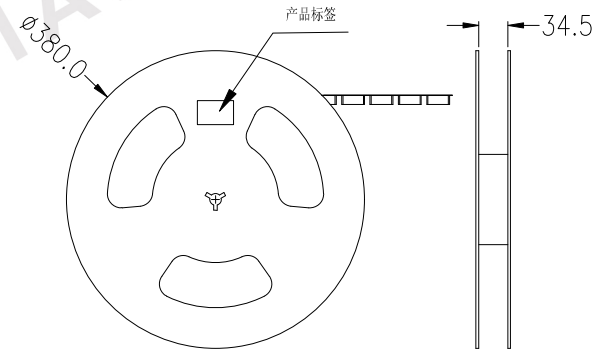
NO. 4



纸箱

10盘

NO. 3



NO. 2

1. 包装要求:

- 1.1 每卷包装300pcs, 卷带前后各空出10pcs位置;
- 1.2 每10盘放一箱, 共计3ksets;
- 1.3 纸箱外贴上标签

备注:

1. 若有未装满之零数, 必须用泡棉塞满。
2. 针对于包装方式可根据客户要求包装。

TOLERANCE UNSPECIFIED		<h2 style="text-align: center;">东莞市韩晶电子有限公司</h2>				
.0	±0.30					TITLE: HDMI 直立贴板母座(H=15.0MM)带弹侧弹片
.00	±0.25	DRAWN	Rain.Yi	SIZE: A4	UNIT: mm.	PART. NO: HDR01-3193K-00BR
.000	±0.15	DATE	2023/04/13	CHECKED	SCALE: 1:1	PROJECTION
X. °	±1.00°	DATE	2023/04/13	APPROVED	DWG	PATH
ASSEMBLY DRAWING		DATE	LCY	2023/04/13	C00-0000-0089	
		DATE			REV.: A	
		DATE			PATH 2/2	